

Features

- Welded core tube provides higher pressure ratings
- Reliable, proven design with high flows
- Small poppet valves for tight shutoff
- Wide range of elastomers for specialty service applications
- Mountable in any position
- Tapped mounting holes in body standard

Construction

| Valve Parts in Contact with Fluids | | |
|------------------------------------|----------------------|--------------------------|
| Body | Brass | Cast 304 Stainless Steel |
| Seals and Discs | NBR or Cast UR | |
| Core Tube | 305 Stainless Steel | |
| Core and Plugnut | 430F Stainless Steel | |
| Springs | 302 Stainless Steel | |
| Shading Coil | Copper | Silver |

Electrical

| Watt Rating and Power Consumption | | | | Spare Coil Part No. | | | |
|-----------------------------------|-------|------------|-----------|---------------------|--------|----------------|--------|
| DC Watts | AC | | | General Purpose | | Explosionproof | |
| | Watts | VA Holding | VA Inrush | AC | DC | AC | DC |
| 10.6 | 6.1* | 16 | 30 | 238210 | 238510 | 238214 | 238514 |
| 18.6 | 9.1* | 20 | 45 | 238210 | 238510 | 238214 | 238514 |
| 11.6 | 10.1 | 25 | 50 | 238610 | 238910 | 238614 | 238914 |
| 22.6 | 17.1 | 40 | 70 | 238610 | 238910 | 238614 | 238914 |

Standard Voltages: 24, 120, 240, 480 volts AC, 60 Hz (or 110, 220 volts AC, 50 Hz).
 6, 12, 24, 120, 240 volts DC. Must be specified when ordering.
 Other voltages available when required.

*On 50 hertz service, the rating for the 6.1/F solenoid is 8.1 watts, and the rating for the 9.1/F solenoid is 11.1 watts.

Solenoid Enclosures

Standard: Watertight, Types 1, 2, 3, 3S, 4, and 4X.

Optional: Explosionproof and Watertight, Types 3, 3S, 4, 4X, 6, 6P, 7, and 9.
 (To order, add prefix "EF" to catalog number)

See *Optional Features Section* for other available options.

Options

Mounting bracket (suffix MB)

Quarter-turn manual operator with screw slot (suffix MS)

Panel mount (prefix GP for conduit; *consult ASCO for other electrical connections*)

Vacuum service (suffix VVM, VVH; see *Vacuum Section* for more details.)

Oxygen service (suffix N)

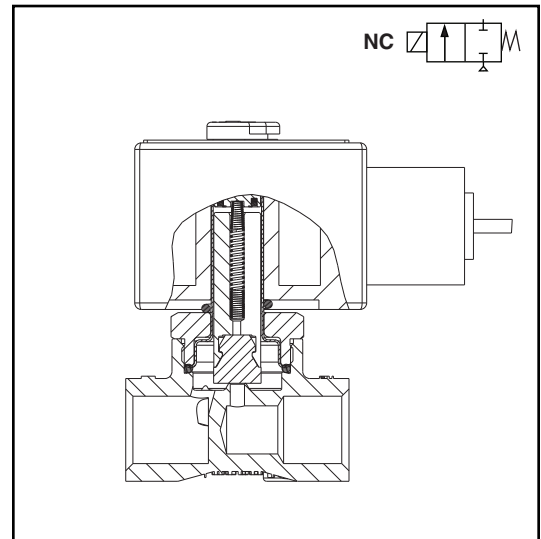
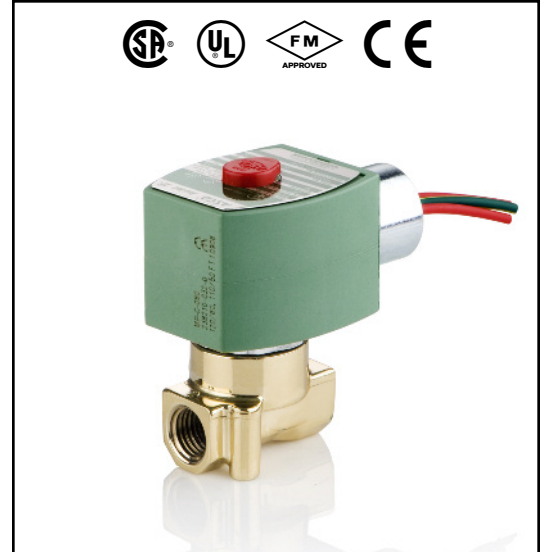
Silicone Free (suffix SF)

Elastomers: FKM (suffix V), Ethylene Propylene (suffix E), CR (suffix J), PTFE* (suffix T), Low Temp NBR** (suffix A)

Note: *PTFE reduces pressure rating by 25% (i.e. 750 psi reduced to 560 psi)

** For Low Temp. NBR, fluid temperature range is -40°F to 167°F (only for valves with 10.1, 17.1, 11.6, and 22.6 watt coils).

Refer to *Engineering Section* for fluid and temperature compatibility.



Nominal Ambient Temp. Ranges

The nominal limitation of 32°F (0°C) is advisable for any valve that might contain moisture (water vapor).

AC: -13°F to 131°F (-25°C to 55°C)

DC: -13°F to 104°F (-25°C to 40°C)

-13°F to 131°F (-25°C to 55°C)

Note: Max ambient for explosionproof (EF) is 125°F (52°C) for AC, 131°F (55°C) for DC.

Optional: For AC, the max. ambient temperature is 140°F (60°C) with Class H coil (with or without prefix EF)

Refer to *Engineering Section* for details.

Approvals

CSA certified. UL listed, as indicated. Safety Shutoff Valves FM approved. Meets applicable CE directives. Refer to *Engineering Section* for details.

ATEX/IECEx certified with prefix "EV" as listed. Refer to *Optional Features Electrical Section* for details.

Specifications (English units)

| Pipe Size (in) | Orifice size (in) | Cv Flow Factor | Operating Pressure Differential (psi) | | | | | | | | | Max. Fluid Temp. °F | | Catalog Number | | Const. Ref. | UL Listing | Watt Rating/Class of Coil Insulation | |
|---|-------------------|----------------|---------------------------------------|-------|------------------|---------------|-------|------------------|---------------|-------|------------------|---------------------|-----|----------------|-----------------|-------------|------------|--------------------------------------|--------|
| | | | Max. AC@131°F | | | Max. DC@104°F | | | Max. DC@131°F | | | | | Brass | Stainless Steel | | | AC | DC |
| | | | Air-Inert Gas | Water | Lt. Oil @ 300ssu | Air-Inert Gas | Water | Lt. Oil @ 300ssu | Air-Inert Gas | Water | Lt. Oil @ 300ssu | AC | DC | | | | | | |
| NORMALLY CLOSED (Closed when de-energized), NBR Disc | | | | | | | | | | | | | | | | | | | |
| 1/8 | 3/64 | 0.06 | 2200 | 2200 | 1700 | - | - | - | - | - | - | 140 | - | - | 8262H175 ① | 1 | ● | 10.1/F | - |
| 1/8 | 3/64 | 0.06 | - | - | - | 2000 | 2000 | 1725 | 1900 | 1900 | 1700 | - | 140 | - | 8262H176 ① | 1 | ● | - | 22.6/H |
| 1/8 | 3/64 | 0.06 | - | - | - | 1500 | 1500 | 1500 | 1500 | 1500 | 1500 | - | 140 | 8262H089 ① | - | 1 | ● | - | 22.6/H |
| 1/8 | 3/64 | 0.06 | 2025 | 1710 | 825 | 965 | 745 | 720 | 920 | 700 | 675 | 140 | 140 | - | 8262H079 ① | 2 | ● | 9.1/F | 18.6/H |
| 1/8 | 3/64 | 0.06 | 1500 | 1350 | 825 | 750 | 620 | 565 | 700 | 565 | 530 | 140 | 140 | 8262H096 ① | - | 2 | ● | 6.1/F | 10.6/H |
| 1/8 | 3/64 | 0.06 | 1500 | 1350 | 825 | - | - | - | - | - | - | - | 140 | - | 8262H173 ① | 2 | ● | 6.1/F | - |
| 1/8 | 3/64 | 0.06 | 1500 | 1500 | 1500 | 1170 | 1145 | 945 | 1000 | 965 | 855 | 140 | 140 | 8262H099 ① | - | 1 | ● | 10.1/F | 11.6/H |
| 1/8 | 3/64 | 0.06 | 750 | 750 | 725 | 750 | 640 | 550 | 750 | 600 | 500 | 180 | 180 | 8262H001 | 8262H012 | 2 | ○ | 6.1/F | 10.6/H |
| 1/8 | 3/32 | 0.21 | 720 | 410 | 410 | 610 | 410 | 410 | 600 | 410 | 400 | 180 | 180 | 8262H277 | 8262H178 | 1 | ○ | 17.1/F | 22.6/H |
| 1/8 | 3/32 | 0.21 | - | - | - | 290 | 290 | 270 | 240 | 240 | 255 | 180 | 180 | - | 8262H177 ② | 1 | ○ | - | 11.6/H |
| 1/8 | 3/32 | 0.21 | 500 | 350 | 325 | 295 | 210 | 205 | 285 | 200 | 195 | 180 | 180 | 8262H011 | - | 2 | ○ | 9.1/F | 18.6/H |
| 1/8 | 3/32 | 0.21 | 370 | 330 | 190 | 235 | 160 | 160 | 215 | 150 | 145 | 180 | 180 | 8262H014 | 8262H015 | 2 | ○ | 6.1/F | 10.6/H |
| 1/8 | 1/8 | 0.35 | 500 | 380 | 355 | 275 | 275 | 235 | 250 | 250 | 225 | 180 | 180 | 8262H105 | 8262H174 | 1 | ○ | 17.1/F | 22.6/H |
| 1/8 | 1/8 | 0.35 | 340 | 300 | 215 | - | - | - | - | - | - | - | 180 | - | 8262H179 | 1 | ○ | 10.1/F | - |
| 1/8 | 1/8 | 0.35 | 275 | 260 | 195 | 165 | 130 | 130 | 155 | 120 | 120 | 180 | 180 | 8262H016 | - | 2 | ○ | 9.1/F | 18.6/H |
| 1/8 | 1/8 | 0.35 | 185 | 180 | 120 | 130 | 110 | 95 | 120 | 100 | 90 | 180 | 180 | 8262H002 | 8262H006 | 2 | ○ | 6.1/F | 10.6/H |
| 1/4 | 3/64 | 0.06 | 2200 | 2200 | 1700 | 1170 | 1145 | 945 | 1000 | 965 | 855 | 140 | 140 | - | 8262H214 ① | 3 | ● | 10.1/F | 11.6/H |
| 1/4 | 3/64 | 0.06 | 1500 | 1500 | 1500 | 1170 | 1145 | 945 | 1000 | 965 | 855 | 140 | 140 | 8262H200 ① | - | 3 | ● | 10.1/F | 11.6/H |
| 1/4 | 3/64 | 0.06 | 1500 | 1500 | 1500 | 1500 | 1500 | 1500 | 1500 | 1500 | 1500 | 140 | 140 | 8262H107 ② | - | 3 | ● | 17.1/F | 22.6/H |
| 1/4 | 3/64 | 0.06 | - | - | - | 2000 | 2000 | 1725 | 1900 | 1900 | 1700 | - | 140 | - | 8262H181 ① | 3 | ● | - | 22.6/H |
| 1/4 | 3/64 | 0.06 | 1500 | 1350 | 825 | 750 | 620 | 530 | 700 | 565 | 495 | 140 | 140 | 8262H106 ① | 8262H180 ① | 4 | ● | 6.1/F | 10.6/H |
| 1/4 | 3/64 | 0.06 | 750 | 750 | 725 | 750 | 640 | 550 | 750 | 600 | 500 | 180 | 180 | 8262H019 | 8262H080 | 4 | ○ | 6.1/F | 10.6/H |
| 1/4 | 3/32 | 0.21 | 720 | 410 | 410 | 610 | 410 | 410 | 600 | 410 | 400 | 180 | 180 | 8262H109 | 8262H183 ② | 3 | ○ | 17.1/F | 22.6/H |
| 1/4 | 3/32 | 0.21 | 590 | 410 | 410 | 290 | 290 | 270 | 240 | 240 | 225 | 180 | 180 | 8262H108 | 8262H182 ② | 3 | ○ | 10.1/F | 11.6/H |
| 1/4 | 3/32 | 0.21 | 500 | 350 | 270 | 295 | 210 | 205 | 285 | 200 | 195 | 180 | 180 | 8262H021 | - | 4 | ○ | 9.1/F | 18.6/H |
| 1/4 | 3/32 | 0.21 | 370 | 330 | 160 | 235 | 160 | 160 | 215 | 150 | 145 | 180 | 180 | 8262H020 | 8262H086 | 4 | ○ | 6.1/F | 10.6/H |
| 1/4 | 1/8 | 0.35 | 500 | 380 | 355 | 275 | 275 | 235 | 250 | 250 | 225 | 180 | 180 | 8262H110 | 8262H185 ② | 3 | ○ | 17.1/F | 22.6/H |
| 1/4 | 1/8 | 0.35 | 340 | 300 | 215 | 130 | 125 | 115 | 110 | 105 | 100 | 180 | 180 | 8262H232 | - | 3 | ○ | 10.1/F | 11.6/H |
| 1/4 | 1/8 | 0.35 | 340 | 300 | 215 | - | - | - | - | - | - | 180 | - | - | 8262H184 ② | 3 | ○ | 10.1/F | - |
| 1/4 | 1/8 | 0.35 | 275 | 260 | 150 | 165 | 130 | 120 | 155 | 120 | 115 | 180 | 180 | 8262H023 | - | 4 | ○ | 9.1/F | 18.6/H |
| 1/4 | 1/8 | 0.35 | 185 | 180 | 90 | 130 | 110 | 90 | 120 | 100 | 85 | 180 | 180 | 8262H022 | 8262H007 | 4 | ○ | 6.1/F | 10.6/H |
| 1/4 | 5/32 | 0.52 | 300 | 210 | 210 | 135 | 135 | 135 | 115 | 115 | 115 | 180 | 180 | 8262H112 | 8262H187 ② | 3 | ○ | 17.1/F | 22.6/H |
| 1/4 | 5/32 | 0.52 | 210 | 200 | 145 | 65 | 63 | 63 | 55 | 54 | 54 | 180 | 180 | 8262H202 | - | 3 | ○ | 10.1/F | 11.6/H |
| 1/4 | 5/32 | 0.52 | 210 | 200 | 145 | - | - | - | - | - | - | 180 | 180 | - | 8262H220 ② | 3 | ○ | 10.1/F | - |
| 1/4 | 5/32 | 0.52 | 150 | 140 | 100 | 95 | 75 | 75 | 85 | 72 | 70 | 180 | 180 | 8262H113 | - | 4 | ○ | 9.1/F | 18.6/H |
| 1/4 | 5/32 | 0.52 | 100 | 100 | 55 | 72 | 60 | 55 | 67 | 53 | 52 | 180 | 180 | 8262H111 | 8262H186 | 4 | ○ | 6.1/F | 10.6/H |
| 1/4 | 7/32 | 0.73 | 125 | 125 | 125 | 70 | 70 | 70 | 65 | 65 | 65 | 180 | 180 | 8262H114 | 8262H188 | 3 | ○ | 17.1/F | 22.6/H |
| 1/4 | 7/32 | 0.73 | 100 | 100 | 100 | 35 | 35 | 35 | 30 | 30 | 30 | 180 | 180 | 8262H208 | - | 3 | ○ | 10.1/F | 11.6/H |
| 1/4 | 7/32 | 0.73 | 100 | 100 | 100 | - | - | - | - | - | - | 180 | - | - | 8262H226 | 3 | ○ | 10.1/F | - |
| 1/4 | 7/32 | 0.73 | 55 | 54 | 40 | 38 | 33 | 31 | 35 | 30 | 28 | 180 | 180 | 8262H013 | 8262H036 | 4 | ○ | 6.1/F | 10.6/H |
| 1/4 | 9/32 | 0.88 | 90 | 90 | 90 | 53 | 50 | 47 | 48 | 46 | 44 | 180 | 180 | 8262H212 | 8262H230 | 3 | ○ | 17.1/F | 22.6/H |
| 1/4 | 9/32 | 0.88 | 65 | 75 | 60 | 25 | 25 | 22 | 22 | 22 | 20 | 180 | 180 | 8262H210 | - | 3 | ○ | 10.1/F | 11.6/H |
| 1/4 | 9/32 | 0.88 | 65 | 75 | 60 | - | - | - | - | - | - | 180 | - | - | 8262H189 | 3 | ○ | 10.1/F | - |
| 1/4 | 9/32 | 0.88 | 36 | 36 | 33 | 27 | 23 | 21 | 24 | 22 | 20 | 180 | 180 | 8262H090 | 8262H038 | 4 | ○ | 6.1/F | 10.6/H |
| 3/8 | 1/8 | 0.35 | 500 | 380 | 355 | 275 | 275 | 160 | 250 | 250 | 150 | 180 | 180 | 8263H115 | 8263H191 | 5 | ○ | 17.1/F | 22.6/H |
| 3/8 | 1/8 | 0.35 | 340 | 300 | 215 | 130 | 125 | 85 | 110 | 105 | 75 | 180 | 180 | 8263H232 | - | 5 | ○ | 10.1/F | 11.6/H |
| 3/8 | 1/8 | 0.35 | 340 | 300 | 215 | - | - | - | - | - | - | 180 | - | - | 8263H190 | 5 | ○ | 10.1/F | - |
| 3/8 | 1/8 | 0.35 | 275 | 260 | 140 | 165 | 130 | 110 | 155 | 120 | 105 | 180 | 180 | 8263H003 | - | 6 | ○ | 9.1/F | 18.6/H |
| 3/8 | 1/8 | 0.35 | 185 | 180 | 90 | 130 | 110 | 80 | 120 | 100 | 75 | 180 | 180 | 8263H002 | 8263H330 | 6 | ○ | 6.1/F | 10.6/H |
| 3/8 | 5/32 | 0.52 | 300 | 210 | 195 | 135 | 135 | 100 | 115 | 115 | 90 | 180 | 180 | 8263H118 | 8263H193 | 5 | ○ | 17.1/F | 22.6/H |
| 3/8 | 5/32 | 0.52 | 210 | 185 | 100 | 65 | 63 | 50 | 55 | 54 | 44 | 180 | 180 | 8263H200 | - | 5 | ○ | 10.1/F | 11.6/H |
| 3/8 | 5/32 | 0.52 | 210 | 185 | 100 | - | - | - | - | - | - | 180 | - | - | 8263H331 ② | 5 | ○ | 10.1/F | - |
| 3/8 | 5/32 | 0.52 | 150 | 140 | 80 | 95 | 75 | 75 | 85 | 72 | 70 | 180 | 180 | 8263H117 | - | 6 | ○ | 9.1/F | 18.6/H |
| 3/8 | 5/32 | 0.52 | 100 | 100 | 50 | 72 | 60 | 55 | 67 | 53 | 52 | 180 | 180 | 8263H116 | 8263H192 | 6 | ○ | 6.1/F | 10.6/H |
| 3/8 | 7/32 | 0.73 | 125 | 100 | 100 | 70 | 70 | 70 | 65 | 65 | 65 | 180 | 180 | 8263H206 ② | 8263H332 | 5 | ○ | 17.1/F | 22.6/H |
| 3/8 | 7/32 | 0.73 | 100 | 86 | 70 | 35 | 35 | 35 | 30 | 30 | 30 | 180 | 180 | 8263H124 | - | 5 | ○ | 10.1/F | 11.6/H |
| 3/8 | 7/32 | 0.73 | 100 | 86 | 70 | - | - | - | - | - | - | 180 | - | - | 8263H195 | 5 | ○ | 10.1/F | - |
| 3/8 | 7/32 | 0.73 | 55 | 54 | 29 | 38 | 33 | 31 | 35 | 30 | 28 | 180 | 180 | 8263H119 | 8263H194 | 6 | ○ | 6.1/F | 10.6/H |
| 3/8 | 9/32 | 0.88 | 100 | 85 | 70 | 53 | 50 | 47 | 48 | 46 | 44 | 180 | 180 | 8263H210 | 8263H333 | 5 | ○ | 17.1/F | 22.6/H |
| 3/8 | 9/32 | 0.88 | 65 | 63 | 47 | - | - | - | - | - | - | 180 | 180 | 8263H125 | 8263H197 | 5 | ○ | 10.1/F | - |
| 3/8 | 9/32 | 0.88 | 35 | 32 | 21 | 27 | 23 | 21 | 24 | 22 | 20 | 180 | 180 | 8263H054 | 8263H196 | 6 | ○ | 6.1/F | 10.6/H |

38 ① Only available with UR disc, limits min. ambient temp. to 32°F (0°C). ② ATEX/IECEx certified with prefix "EV".

● = General Purpose Valve, ○ = Safety Shutoff Valve

Specifications (Metric units)

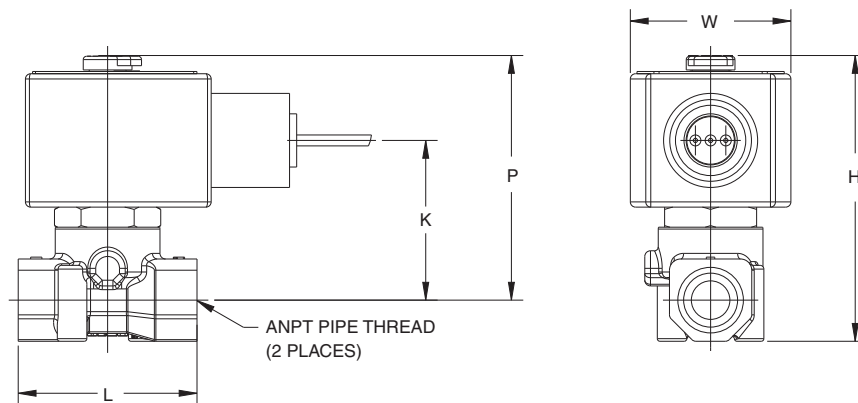
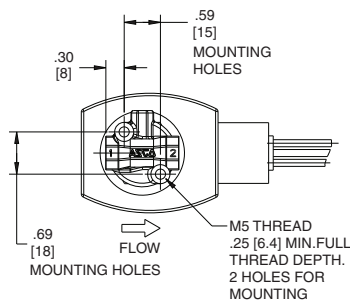
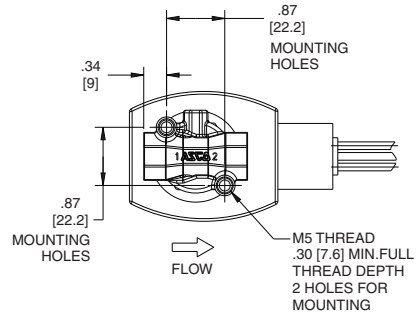
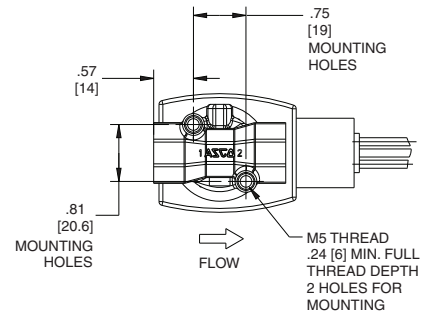
| Pipe Size (in) | Orifice size (mm) | Kv Flow Factor (m³/h) | Operating Pressure Differential (bar) | | | | | | | | | Max. Fluid Temp. °C | | Catalog Number | | Const. Ref. | UL Listing | Watt Rating/ Class of Coil Insulation | |
|---|-------------------|-----------------------|---------------------------------------|-------|------------------|---------------|-------|------------------|---------------|-------|------------------|---------------------|----|----------------|-----------------|-------------|------------|---------------------------------------|--------|
| | | | Max. AC@55°C | | | Max. DC@40°C | | | Max. DC@55°C | | | AC | DC | Brass | Stainless Steel | | | AC | DC |
| | | | Air-Inert Gas | Water | Lt. Oil @ 300ssu | Air-Inert Gas | Water | Lt. Oil @ 300ssu | Air-Inert Gas | Water | Lt. Oil @ 300ssu | | | | | | | | |
| NORMALLY CLOSED (Closed when de-energized), NBR Disc | | | | | | | | | | | | | | | | | | | |
| 1/8 | 1.2 | 0.05 | 152 | 152 | 117 | - | - | - | - | - | - | 60 | - | - | 8262H175 ① | 1 | ● | 10.1/F | - |
| 1/8 | 1.2 | 0.05 | - | - | - | 138 | 138 | 119 | 131 | 131 | 117 | - | 60 | - | 8262H176 ① | 1 | ● | - | 22.6/H |
| 1/8 | 1.2 | 0.05 | - | - | - | 103 | 103 | 103 | 103 | 103 | 103 | - | 60 | 8262H089 ① | - | 1 | ● | - | 22.6/H |
| 1/8 | 1.2 | 0.05 | 140 | 118 | 57 | 67 | 51 | 50 | 63 | 48 | 47 | 60 | 60 | - | 8262H079 ① | 2 | ● | 9.1/F | 18.6/H |
| 1/8 | 1.2 | 0.05 | 103 | 93 | 57 | 52 | 43 | 39 | 48 | 39 | 37 | 60 | 60 | 8262H096 ① | - | 2 | ● | 6.1/F | 10.6/H |
| 1/8 | 1.2 | 0.05 | 103 | 93 | 57 | - | - | - | - | - | - | - | 60 | - | 8262H173 ① | 2 | ● | 6.1/F | - |
| 1/8 | 1.2 | 0.05 | 103 | 103 | 103 | 81 | 79 | 65 | 69 | 67 | 59 | 60 | 60 | 8262H099 ① | - | 1 | ● | 10.1/F | 11.6/H |
| 1/8 | 1.2 | 0.05 | 52 | 52 | 50 | 52 | 44 | 38 | 52 | 41 | 34 | 82 | 82 | 8262H001 | 8262H012 | 2 | ○ | 6.1/F | 10.6/H |
| 1/8 | 2.4 | 0.18 | 50 | 28 | 28 | 42 | 28 | 28 | 41 | 28 | 28 | 82 | 82 | 8262H277 | 8262H178 | 1 | ○ | 17.1/F | 22.6/H |
| 1/8 | 2.4 | 0.18 | - | - | - | 20 | 20 | 19 | 17 | 17 | 18 | - | 82 | - | 8262H177 ② | 1 | ○ | - | 11.6/H |
| 1/8 | 2.4 | 0.18 | 34 | 24 | 22 | 20 | 14 | 14 | 20 | 14 | 13 | 82 | 82 | 8262H011 | - | 2 | ○ | 9.1/F | 18.6/H |
| 1/8 | 2.4 | 0.18 | 26 | 23 | 13 | 16 | 11 | 11 | 15 | 10 | 10 | 82 | 82 | 8262H014 | 8262H015 | 2 | ○ | 6.1/F | 10.6/H |
| 1/8 | 3.2 | 0.30 | 34 | 26 | 24 | 19 | 19 | 16 | 17 | 17 | 16 | 82 | 82 | 8262H105 | 8262H174 | 1 | ○ | 17.1/F | 22.6/H |
| 1/8 | 3.2 | 0.30 | 23 | 21 | 15 | - | - | - | - | - | - | 82 | - | - | 8262H179 | 1 | ○ | 10.1/F | - |
| 1/8 | 3.2 | 0.30 | 19 | 18 | 13 | 11 | 9 | 9 | 11 | 8 | 8 | 82 | 82 | 8262H016 | - | 2 | ○ | 9.1/F | 18.6/H |
| 1/8 | 3.2 | 0.30 | 13 | 12 | 8 | 9 | 8 | 7 | 8 | 7 | 6 | 82 | 82 | 8262H002 | 8262H006 | 2 | ○ | 6.1/F | 10.6/H |
| 1/4 | 1.2 | 0.05 | 152 | 152 | 117 | 81 | 79 | 65 | 69 | 67 | 59 | 60 | 60 | - | 8262H214 ① | 3 | ● | 10.1/F | 11.6/H |
| 1/4 | 1.2 | 0.05 | 103 | 103 | 103 | 81 | 79 | 65 | 69 | 67 | 59 | 60 | 60 | 8262H200 ① | - | 3 | ● | 10.1/F | 11.6/H |
| 1/4 | 1.2 | 0.05 | 103 | 103 | 103 | 103 | 103 | 103 | 103 | 103 | 103 | 60 | 60 | 8262H107 ① | - | 3 | ● | 17.1/F | 22.6/H |
| 1/4 | 1.2 | 0.05 | - | - | - | 138 | 138 | 119 | 131 | 131 | 117 | - | 60 | - | 8262H181 ① | 3 | ● | - | 22.6/H |
| 1/4 | 1.2 | 0.05 | 103 | 93 | 57 | 52 | 43 | 37 | 48 | 39 | 34 | 60 | 60 | 8262H106 ① | 8262H180 ① | 4 | ● | 6.1/F | 10.6/H |
| 1/4 | 1.2 | 0.05 | 52 | 52 | 50 | 52 | 44 | 38 | 52 | 41 | 34 | 82 | 82 | 8262H019 | 8262H080 | 4 | ○ | 6.1/F | 10.6/H |
| 1/4 | 2.4 | 0.18 | 50 | 28 | 28 | 42 | 28 | 28 | 41 | 28 | 28 | 82 | 82 | 8262H109 | 8262H183 ② | 3 | ○ | 17.1/F | 22.6/H |
| 1/4 | 2.4 | 0.18 | 41 | 28 | 28 | 20 | 20 | 19 | 17 | 17 | 16 | 82 | 82 | 8262H108 | 8262H182 ② | 3 | ○ | 10.1/F | 11.6/H |
| 1/4 | 2.4 | 0.18 | 34 | 24 | 19 | 20 | 14 | 14 | 20 | 14 | 13 | 82 | 82 | 8262H021 | - | 4 | ○ | 9.1/F | 18.6/H |
| 1/4 | 2.4 | 0.18 | 26 | 23 | 11 | 16 | 11 | 11 | 15 | 10 | 10 | 82 | 82 | 8262H020 | 8262H086 | 4 | ○ | 6.1/F | 10.6/H |
| 1/4 | 3.2 | 0.30 | 34 | 26 | 24 | 19 | 19 | 16 | 17 | 17 | 16 | 82 | 82 | 8262H110 | 8262H185 ② | 3 | ○ | 17.1/F | 22.6/H |
| 1/4 | 3.2 | 0.30 | 23 | 21 | 15 | 9 | 9 | 8 | 8 | 7 | 7 | 82 | 82 | 8262H232 | - | 3 | ○ | 10.1/F | 11.6/H |
| 1/4 | 3.2 | 0.30 | 23 | 21 | 15 | - | - | - | - | - | - | 82 | - | - | 8262H184 ② | 3 | ○ | 10.1/F | - |
| 1/4 | 3.2 | 0.30 | 19 | 18 | 10 | 11 | 9 | 8 | 11 | 8 | 8 | 82 | 82 | 8262H023 | - | 4 | ○ | 9.1/F | 18.6/H |
| 1/4 | 3.2 | 0.30 | 13 | 12 | 6 | 9 | 8 | 6 | 8 | 7 | 6 | 82 | 82 | 8262H022 | 8262H007 | 4 | ○ | 6.1/F | 10.6/H |
| 1/4 | 4.0 | 0.45 | 21 | 14 | 14 | 9 | 9 | 9 | 8 | 8 | 8 | 82 | 82 | 8262H112 | 8262H187 ② | 3 | ○ | 17.1/F | 22.6/H |
| 1/4 | 4.0 | 0.45 | 14 | 14 | 10 | 4 | 4 | 4 | 4 | 4 | 4 | 82 | 82 | 8262H202 | - | 3 | ○ | 10.1/F | 11.6/H |
| 1/4 | 4.0 | 0.45 | 14 | 14 | 10 | - | - | - | - | - | - | 82 | - | - | 8262H220 ② | 3 | ○ | 10.1/F | - |
| 1/4 | 4.0 | 0.45 | 10 | 10 | 7 | 7 | 5 | 5 | 6 | 5 | 5 | 82 | 82 | 8262H113 | - | 4 | ○ | 9.1/F | 18.6/H |
| 1/4 | 4.0 | 0.45 | 7 | 7 | 4 | 5 | 4 | 4 | 5 | 4 | 4 | 82 | 82 | 8262H111 | 8262H186 | 4 | ○ | 6.1/F | 10.6/H |
| 1/4 | 5.6 | 0.63 | 9 | 9 | 9 | 5 | 5 | 5 | 4 | 4 | 4 | 82 | 82 | 8262H114 | 8262H188 | 3 | ○ | 17.1/F | 22.6/H |
| 1/4 | 5.6 | 0.63 | 7 | 7 | 7 | 2 | 2 | 2 | 2 | 2 | 2 | 82 | 82 | 8262H208 | - | 3 | ○ | 10.1/F | 11.6/H |
| 1/4 | 5.6 | 0.63 | 7 | 7 | 7 | - | - | - | - | - | - | 82 | - | - | 8262H226 | 3 | ○ | 10.1/F | - |
| 1/4 | 5.6 | 0.63 | 4 | 4 | 3 | 3 | 2 | 2 | 2 | 2 | 2 | 82 | 82 | 8262H013 | 8262H036 | 4 | ○ | 6.1/F | 10.6/H |
| 1/4 | 7.1 | 0.76 | 6 | 6 | 6 | 4 | 3 | 3 | 3 | 3 | 3 | 82 | 82 | 8262H212 | 8262H230 | 3 | ○ | 17.1/F | 22.6/H |
| 1/4 | 7.1 | 0.76 | 4 | 5 | 4 | 2 | 2 | 2 | 2 | 2 | 1 | 82 | 82 | 8262H210 | - | 3 | ○ | 10.1/F | 11.6/H |
| 1/4 | 7.1 | 0.76 | 4 | 5 | 4 | - | - | - | - | - | - | 82 | - | - | 8262H189 | 3 | ○ | 10.1/F | - |
| 1/4 | 7.1 | 0.76 | 2 | 2 | 2 | 2 | 2 | 1 | 2 | 2 | 1 | 82 | 82 | 8262H090 | 8262H038 | 4 | ○ | 6.1/F | 10.6/H |
| 3/8 | 3.2 | 0.30 | 34 | 26 | 24 | 19 | 21 | 11 | 17 | 19 | 10 | 82 | 82 | 8263H115 | 8263H191 | 5 | ○ | 17.1/F | 22.6/H |
| 3/8 | 3.2 | 0.30 | 23 | 21 | 15 | 9 | 9 | 6 | 8 | 7 | 5 | 82 | 82 | 8263H232 | - | 5 | ○ | 10.1/F | 11.6/H |
| 3/8 | 3.2 | 0.30 | 23 | 21 | 15 | - | - | - | - | - | - | 82 | 82 | - | 8263H190 | 5 | ○ | 10.1/F | - |
| 3/8 | 3.2 | 0.30 | 19 | 18 | 10 | 11 | 9 | 8 | 11 | 8 | 7 | 82 | 82 | 8263H003 | - | 6 | ○ | 9.1/F | 18.6/H |
| 3/8 | 3.2 | 0.30 | 13 | 12 | 6 | 9 | 8 | 6 | 8 | 7 | 5 | 82 | 82 | 8263H002 | 8263H330 | 6 | ○ | 6.1/F | 10.6/H |
| 3/8 | 4.0 | 0.45 | 21 | 14 | 13 | 9 | 9 | 7 | 8 | 8 | 6 | 82 | 82 | 8263H118 | 8263H193 | 5 | ○ | 17.1/F | 22.6/H |
| 3/8 | 4.0 | 0.45 | 14 | 13 | 7 | 4 | 4 | 3 | 4 | 4 | 3 | 82 | 82 | 8263H200 | - | 5 | ○ | 10.1/F | 11.6/H |
| 3/8 | 4.0 | 0.45 | 14 | 13 | 7 | - | - | - | - | - | - | 82 | - | - | 8263H331 ② | 5 | ○ | 10.1/F | - |
| 3/8 | 4.0 | 0.45 | 10 | 10 | 6 | 7 | 5 | 5 | 6 | 5 | 5 | 82 | 82 | 8263H117 | - | 6 | ○ | 9.1/F | 18.6/H |
| 3/8 | 4.0 | 0.45 | 7 | 7 | 3 | 5 | 4 | 4 | 5 | 4 | 4 | 82 | 82 | 8263H116 | 8263H192 | 6 | ○ | 6.1/F | 10.6/H |
| 3/8 | 5.6 | 0.63 | 9 | 7 | 7 | 5 | 5 | 5 | 4 | 4 | 4 | 82 | 82 | 8263H206 ② | 8263H332 | 5 | ○ | 17.1/F | 22.6/H |
| 3/8 | 5.6 | 0.63 | 7 | 6 | 5 | 2 | 2 | 2 | 2 | 2 | 2 | 82 | 82 | 8263H124 | - | 5 | ○ | 10.1/F | 11.6/H |
| 3/8 | 5.6 | 0.63 | 7 | 6 | 5 | - | - | - | - | - | - | 82 | - | - | 8263H195 | 5 | ○ | 10.1/F | - |
| 3/8 | 5.6 | 0.63 | 4 | 4 | 2 | 3 | 2 | 2 | 2 | 2 | 2 | 82 | 82 | 8263H119 | 8263H194 | 6 | ○ | 6.1/F | 10.6/H |
| 3/8 | 7.1 | 0.76 | 7 | 6 | 5 | 4 | 3 | 3 | 3 | 3 | 3 | 82 | 82 | 8263H210 | 8263H333 | 5 | ○ | 17.1/F | 22.6/H |
| 3/8 | 7.1 | 0.76 | 4 | 4 | 3 | - | - | - | - | - | - | 82 | - | 8263H125 | 8263H197 | 5 | ○ | 10.1/F | - |
| 3/8 | 7.1 | 0.76 | 2 | 2 | 1 | 2 | 2 | 1 | 2 | 2 | 1 | 82 | 82 | 8263H054 | 8263H196 | 6 | ○ | 6.1/F | 10.6/H |

① Only available with UR disc, limits min. ambient temp. to 32°F (0°C). ② ATEX/IECEx certified with prefix "EV".

● = General Purpose Valve, ○ = Safety Shutoff Valve

Dimensions: inches (mm)

| Const. Ref. | | H | K | L | P | W |
|-------------|-----|------|------|------|------|------|
| 1 | ins | 3.05 | 1.71 | 1.19 | 2.69 | 1.95 |
| | mm | 77 | 43 | 30 | 68 | 50 |
| 2 | ins | 2.85 | 1.60 | 1.19 | 2.50 | 1.69 |
| | mm | 72 | 41 | 30 | 63 | 43 |
| 3 | ins | 3.12 | 1.79 | 1.56 | 2.76 | 1.95 |
| | mm | 79 | 45 | 40 | 70 | 50 |
| 4 | ins | 2.96 | 1.72 | 1.56 | 2.60 | 1.69 |
| | mm | 75 | 44 | 40 | 66 | 43 |
| 5 | ins | 3.20 | 1.79 | 1.88 | 2.77 | 1.95 |
| | mm | 81 | 45 | 48 | 70 | 50 |
| 6 | ins | 3.03 | 1.72 | 1.88 | 2.60 | 1.69 |
| | mm | 77 | 44 | 48 | 66 | 43 |

Const. Ref. 1-6

Mounting Dimensions
Const. Ref. 1, 2
(1/8" Pipe)

Const. Ref. 3, 4
(1/4" Pipe)

Const. Ref. 5, 6
(3/8" Pipe)


Note: Mounting holes will accept a standard #10-32 machine screw.