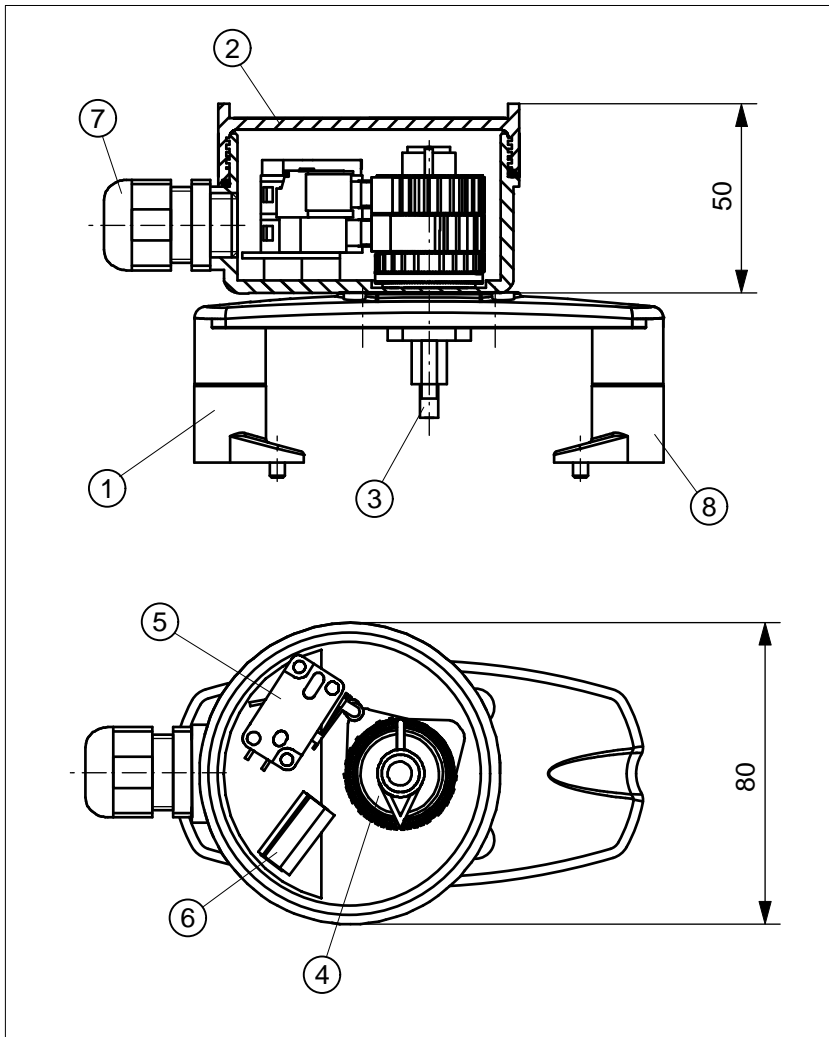




PCR8MVAZ

PB-Module with two micro switches Crouzet 83.161.801
in PB-Housing ø80 x 97 mm with visual position indicator



TECHNICAL DATA

Manufacturer: Crouzet
Type: 83.161.801
Micro switch
Switching power: 0.1 A, 250 V AC
Contacts: Gold alloy
Economic life-time: 5×10^7 switch. cycles
Temperature: -20...+85°C
Housing: Vestamid, black
Cover: Macrolon, clear
with position indicator
Sealing: EPDM 60 Shore
Ingress protection: IP65
Switching precision: <math><1.5^\circ</math>
System connection: Cable gland M20x1,5

OBJECT LIST

Pos.	Pcs.	Description	Material
1	1	Housing base	Vestamid
2	1	Housing cover	Macrolon
3	1	TCR-Axis	POM
4	1	Switch cam system	POM
5	2	Micro switch	-
6	1	Terminal block, 5-pole	-
7	1	Cable gland M20x1,5	-
8	1	Bracket size 1-4	PA

WIRING DIAGRAM

